

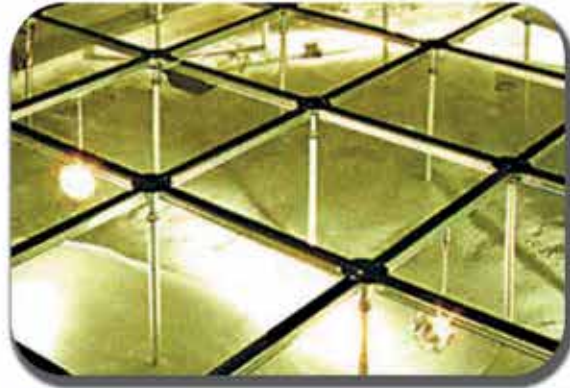
RAISED ACCESS FLOORING

Problems related to the incompatibility between traditional building structures, conceived as to remain unaltered in time, and technical wiring, which need to be changed continuously and adapted to user new necessities, are extremely important in buildings provided with high technological environments. In the beginning, access floors had been projected only to solve problems of plant engineering in data processing centres. Today, access floors are the best solution for many other projects where technical flexibility is required.

The completely accessible interspace created by the access floor allows for a totally free and unobstructed alignment and re-alignment of all electrical and hydraulic ducts, cabling and wiring without any masonry obstacles. Consequently it is easy moving or creating new work stations with telephones, computers and lighting systems. All these prerogatives together with the possibility of accessing to the plenum, make the Raised Access Floor an indispensable element in the construction of offices, banks, control stations and other areas with open space lay-outs.

CBI Europe is today the only company in the world, producing in one single manufacturing location, the 4 different types of "Raised access floors" as required by the raised floor market:

- High density woodfibre core panels
- Calcium sulfate core panels
- Encapsulated steel panels
- GLASS PANNELS



مقسم اتصالات طولكرم



بنك القاهرة عمان - الخليل

- البنك الإسلامي العربي - رام الله
- بنك الإستثمار - رام الله
- متحف فلسطين - رام الله

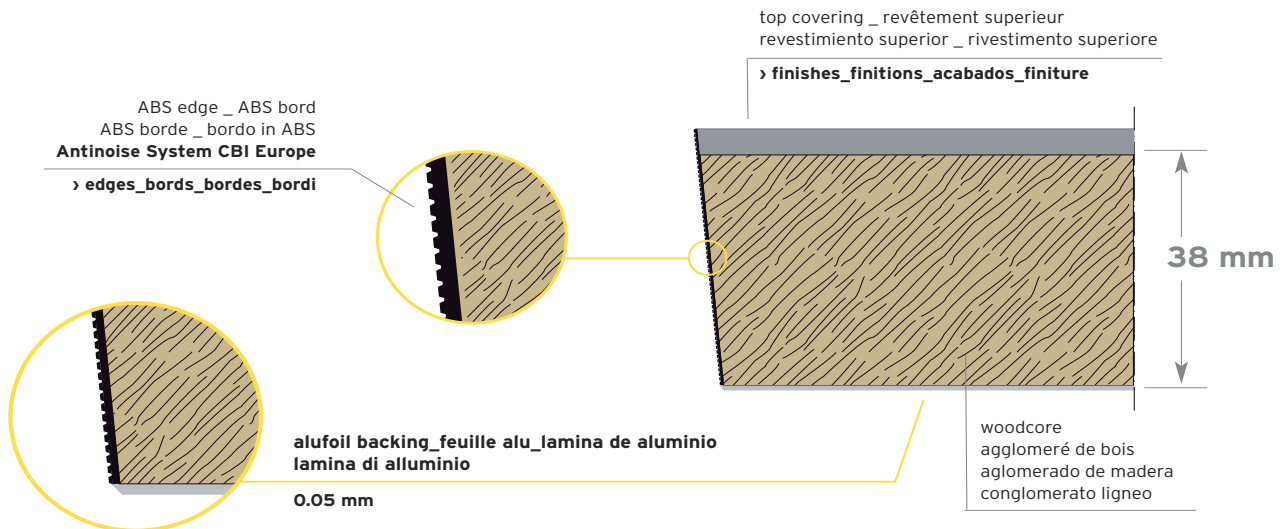
- غرفة السيرفر - ال UPS - البنك المركزي - رام الله
- وزارة الداخلية - رام الله
- سلطة الترخيص - رام الله

FACTORY FINISHED PANELS

Woodcore panel > alufoil backing



panneau en aggloméré de bois > feuille alu
 baldosa aglomerado de madera > lamina de aluminio
 pannelo in conglomerato ligneo > lamina di alluminio



PANEL SPECIFICATION _ DESCRIPTION PANNEAU _ DESCRIPCIÓN BALDOSA _ DESCRIZIONE PANNELLO

Panel	Panneau	Baldosa	Pannello
Woodcore high density 720/730 kg/m3 +/- 3%.	Aggloméré de bois à haute densité 720/730 kg/m3 +/- 3%.	Agglomerado de madera alta densidad 720/730 kg/m3 +/- 3%.	Conglomerato ligneo ad alta densità 720/730 kg/m3 +/- 3%.
Dimensions 600X600X 38 mm.	Dimensions 600X600X 38 mm.	Dimensiones 600X600X 38 mm.	Dimensioni 600X600X 38 mm.
Top Covering To be selected by the project manager on end-user.	Revêtement supérieur Choisi par la Direction Travaux selon le catalogue "Floors" de CBI Europe SpA.	Revestimiento superior Será elegir por el director del proyecto y seleccionado de catálogo de CBI Europe SpA "Floors".	Rivestimento superiore A scelta della D.L. in qualsiasi tipo di rivestimento del catalogo Floors CBI Europe SpA.
Bottom covering Alufoil thickness 0.05 mm	Dôs du panneau Feuille alu 0,05 mm.	Sopporo inferior Lamina de aluminio 0,05 mm.	Rivestimento inferiore Lamina di alluminio 0,05 mm.
Panel edge ABS thickness 0.5 mm. For ceramic tiles, marble and granite coverings: ABS thickness 0,8 mm. Colors: black, beige, grey.	Bord perimetral ABS épaisseur 0,5 mm. Pour revêtements en grès, granite, marbre: ABS épaisseur 0,8 mm. Couleurs: noir, beige, gris.	Cantos ABS espesor 0,5 mm. Para revestimientos de cerámica, granito e mármol: ABS espesor 0,8 mm. Colores: negro, beige, gris.	Bordatura pannello ABS spessore 0,5 mm. Per rivestimenti in ceramica, marmo, granito: ABS spessore 0,8 mm Colori: nero, beige, grigio.

	L	P	H	Kg/m ²	fire reaction	fire resistance	structure		structure	
					reazione al fuoco euro class	resistenza al fuoco euro class	CR_CBI	IF	CR_CBI	IF
panelbacking, alu foil dôs du panneau en aluminium sopporo inferior de aluminio rivestimento inferiore in alluminio	PT38A	60 x 60	38	28	B2-s1-d0 - BFL - s1	F 30	4,116	4,704	18,130	19,110

▼ (KN) point load resistance _ resistance au charge concentré
 resistencia a la carga concentrada _ resistenza al carico concentrato

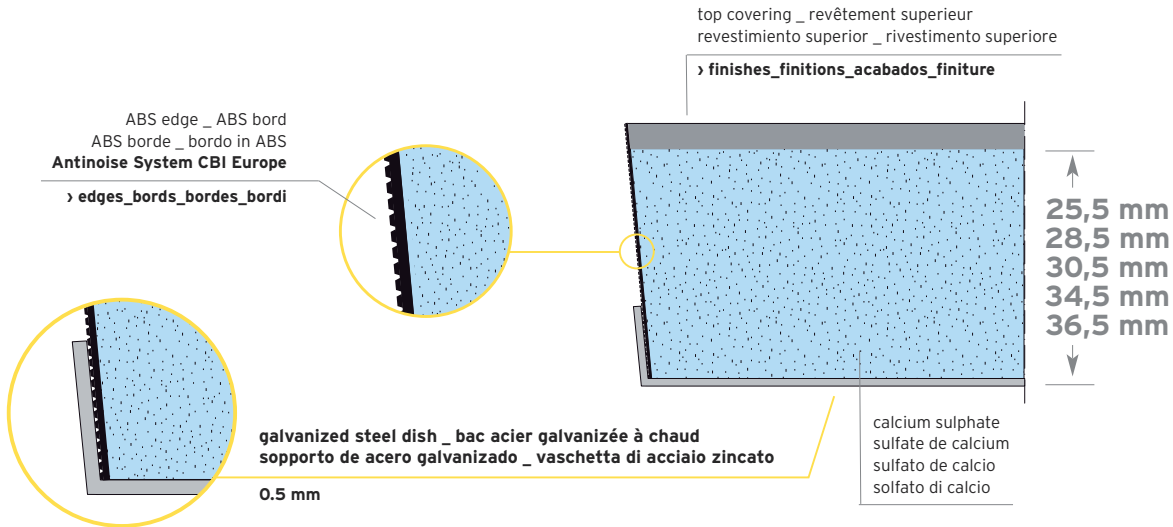
▼▼▼ (KN/m²) distributed load resistance _ resistance au charge distribué
 resistencia a la carga distribuida _ resistenza al carico distribuito



FACTORY FINISHED PANELS

Calcium sulphate panel > galvanized steel dish

panneau en sulfate de calcium > bac acier galvanisée à chaud
 baldosa de sulfato de calcio > soporte de acero galvanizado
 pannelo in solfato di calcio > vaschetta di acciaio zincato



PANEL SPECIFICATION _ DESCRIPTION PANNEAU _ DESCRIPCIÓN PANEL _ DESCRIZIONE PANNELLO

Panel	Panneau	Baldosa	Pannello
Calcium sulphate high density 1500 kg/m3 +/- 3%.	Sulfate de calcium à haute densité 1500 kg/m3 +/- 3%.	Sulfato de calcio alta densidad 1500 kg/m3 +/- 3%.	Solfato di calcio ad alta densità 1500 kg/m3 +/- 3%.
Dimensions 600X600X 25,5/28,5/30,5 /34,5/36,5 mm.	Dimensions 600X600X 25,5/28,5/30,5 /34,5/36,5 mm.	Dimensiones 600X600X 25,5/28,5/30,5 /34,5/36,5 mm.	Dimensioni 600X600X 25,5/28,5/30,5 /34,5/36,5 mm.
Top Covering To be selected by the project manager on end-user.	Revêtement supérieur Choisi par la Direction Travaux selon le catalogue "Floors" de CBI Europe SpA.	Revestimiento superior Será elegir por el director del proyecto y seleccionado de catálogo de CBI Europe SpA "Floors".	Rivestimento superiore A scelta della D.L. in qualsiasi tipo di rivestimento del catalogo Floors CBI Europe SpA.
Bottom covering Galvanized steel dish thickness 0.5 mm.	Dôs du panneau Bac acier galvanisée à chaud 0,5 mm.	Soportio inferior Soportio de acero galvanizado espesor 0,5 mm.	Rivestimento inferiore Vaschetta di acciaio zincato spessore 0,5 mm.
Panel edge ABS thickness 0.5 mm. For ceramic tiles, marble and granite coverings: ABS thickness 0,8 mm. Colors: black, beige, grey.	Bord perimetral ABS épaisseur 0,5 mm. Pour revêtements en grès, granite, marbre: ABS épaisseur 0,8 mm. Couleurs: noir, beige, gris.	Cantos ABS espesor 0,5 mm. Para revestimientos de cerámica, granito e mármol: ABS espesor 0,8 mm. Colores: negro, beige, gris.	Bordatura pannello ABS spessore 0,5 mm. Per rivestimenti in ceramica, marmo, granito: ABS spessore 0,8 mm Colori: nero, beige, grigio.

	L	P	H	Kg/m ²	fire reaction	fire resistance	structure		structure		
					reazione al fuoco	resistenza al fuoco	CR_CBI	IF	CR_CBI	IF	
					euro class	euro class	structure	structure	structure	structure	
bottom covered galvanized steel dish dôs du panneau en acier zingué soportio inferior de acero galvanizado rivestimento inferiore in acciaio zincato	60 x 60		PS25.5V	25,5	33,5	A1	F 30	4,312	4,900	22,050	22,540
			PS28.5V	28,5	37	A1	F 30	4,704	5,292	27,930	28,420
			PS30.5V	30,5	39,5	A1	F 30	5,292	5,880	30,380	30,870
			PS34.5V	34,5	44,7	A1	F 30	5,488	6,076	31,360	32,340
			PS36.5V	36,5	47,3	A1	F 60	5,782	6,370	33,320	35,770

(KN) point load resistance _resistance au charge concentré
 resistencia a la carga concentrada _resistenza al carico concentrato

(KN/m²) distributed load resistance _resistance au charge distribué
 resistencia a la carga distribuida _resistenza al carico distribuito

FACTORY FINISHED PANELS

BARE PANELS

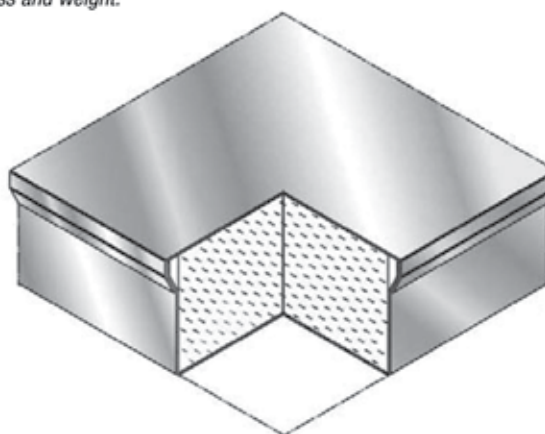
RADIANT FLOORS

technical specifications

ENCAPSULATED STEEL PANEL

CBI Europe, attentive to the needs of the market, has made a panel completely covered in steel. Incombustible, with a Euro Class A1 reaction to fire, the panel has a centre made of wood composite 700/720 kg/m³ and a reinforced edge to make the system durable and compact. There are three principle types of panel which differ in thickness and weight.

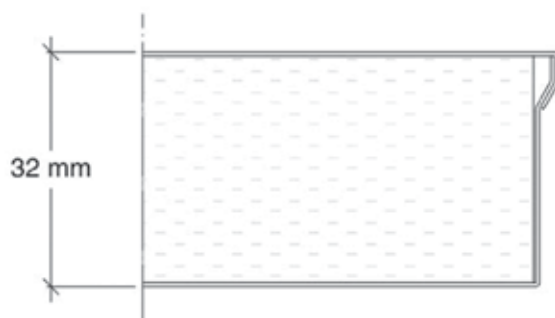
PANEL MODELS	DIMENSIONS
CBH-Heavy Grade	600×600×32 mm
CBM-Medium Grade	600×600×30 mm
CBL-Light Grade	600×600×26 mm



TECHNICAL DATA

CBH-HEAVY GRADE

PANEL SECTION



DIMENSIONS AND PROPERTIES		PERFORMANCE (*)	
Dimensione dei pannelli <i>Panel dimensions</i>	600×600 mm	Carico concentrato <i>Point load</i>	Test disponibile su richiesta <i>Test available on request</i>
Spessore del pannello <i>Panel thickness</i>	32 mm	Carico massimo <i>Maximum load</i>	16,00 KN
Tolleranza <i>Tolerance</i>	+/- 0,3 mm	Classe del pannello (*) <i>Panel class (*)</i>	4-A
Peso del pannello <i>Panel weight</i>	10,50 kg	Fattore di sicurezza <i>Safety factor</i>	2
Spessore dell'acciaio <i>Galvanised steel thickness</i>	0,5 mm	Reazione al fuoco <i>Fire reaction</i>	EuroClasse A1 - Incombustibile <i>Euro Class A1 - Incombustible</i>
Densità <i>Woodcore density</i>	730 kg/m ³ +/- 3%	Assorbimento acustico <i>Sound absorption</i>	67-69 dB

(*) In accordo con la normativa Uni EN 12825.

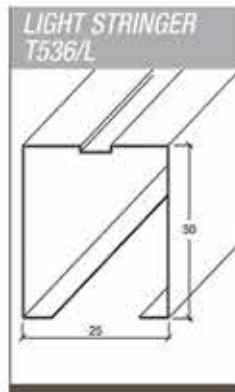
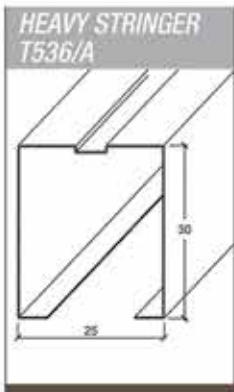
(*) Accordance with normative Uni EN 12825.

STRUCTURE CBI

FINISH LEVEL FROM 70 TO 600 mm



TECHNICAL DATA



ADJUSTABLE PEDESTAL CBI

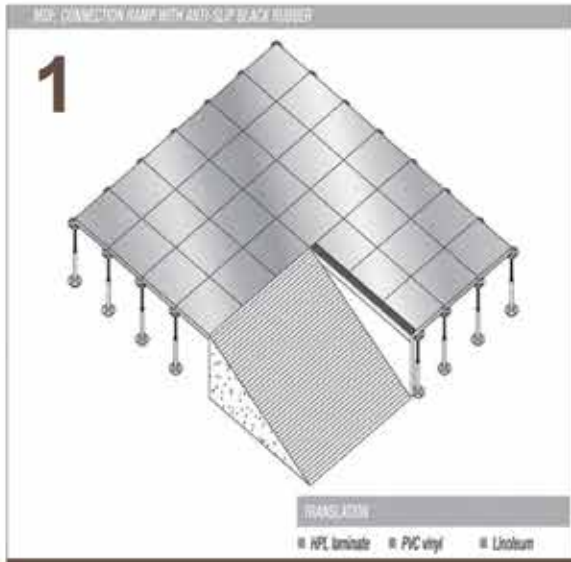
- Adjustable pedestal CBI completely made with galvanised steel.
- Pedestal base composed with circular plate dimensions \varnothing 90 mm, thickness 2.5 mm assembled with steel tube \varnothing 21 mm, thickness 2.5 mm.
- Pedestal head composed with circular plate dimensions \varnothing 90 mm, thickness 2.5 mm assembled with threaded rod \varnothing 16 mm, assembled with PVC washer.

STRINGER DESCRIPTION T 536/A - T 536/L

- Open section stringer, Clip-On System T536/A or T536/L.
- Dimensions 25x30mm.
- Stringer covered with PVC washer.

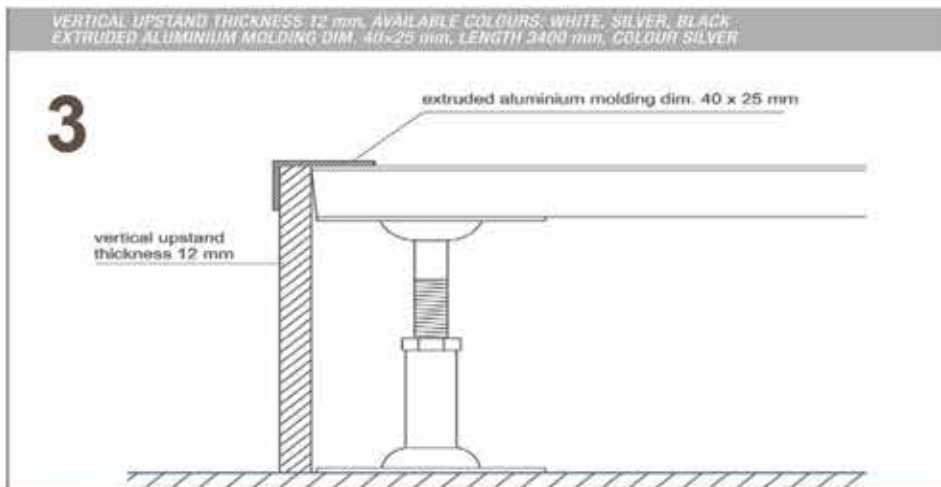
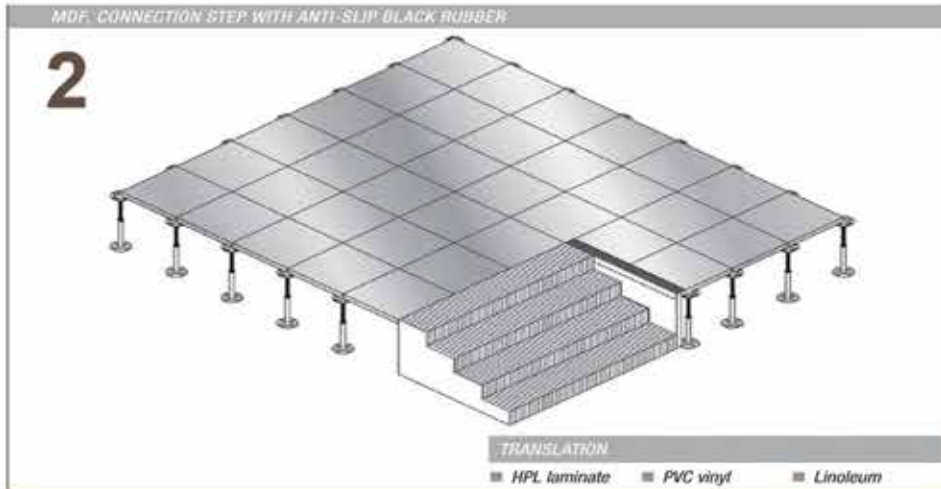
ACCESSORIES

TECHNICAL DATA

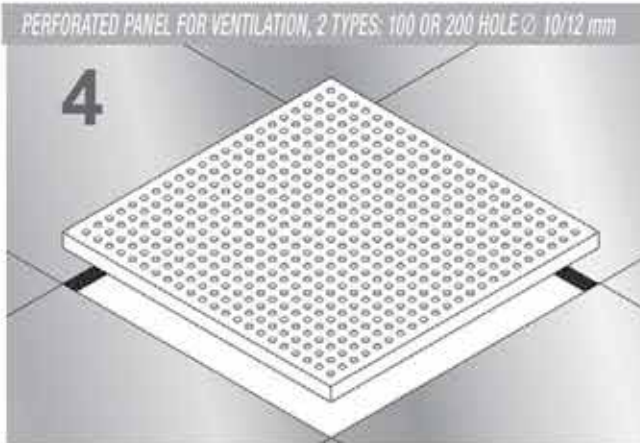


ACCESSORY LIST

- 1 MDF, connection ramp with anti-slip black rubber, colour black.
- 2 MDF, connection step with anti-slip black rubber, colour black.
- 3 Vertical upstand thickness 12 mm, available colours: white, silver, black. Extruded aluminium molding dim. 40x25 mm, length 3400 mm, colour silver.
- 4 Perforated panel for ventilation, 2 types: 100 or 200 hole \varnothing 10/12 mm.
- 5 Ventilation grill made in aluminium with dumper for air regulation. 3 models available: 600x150 mm, 600x300 mm, 600x600 mm.
- 6 Electrical outlet box, 8 partitions.
- 7 Low level bridging, dimensions 95x50 mm, length 1500 mm.
- 8 Low level bridging, dimensions 95x50 mm, length 1500 mm.
- 9 Perimeter edging strip, dimensions 5x40 mm.
- 10 Perimeter skirting available in different types and dimensions. 2 models available: 80x5x3000 mm, 60x5x3000 mm.
- 11 Self-adhesive aluminium tape class 0 – incombustible.
- 12 Poliuretanic glue for pedestals, Protopur 580 model.
- 13 PVC single grip lifting device.
- 14 Aluminium double grip lifting device.



ACCESSORI



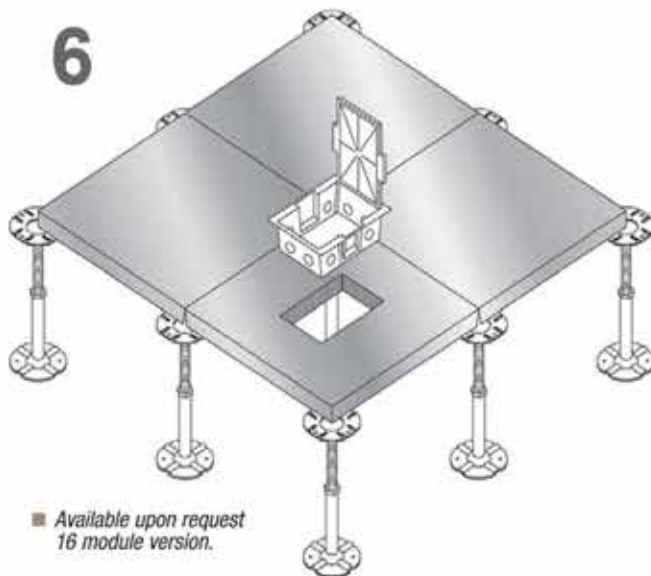
- 10x10 holes \varnothing 10 mm = 2.18% perforated area.
- 20x20 holes \varnothing 10 mm = 8.73% perforated area.

VENTILATION GRILL, MADE IN ALUMINIUM WITH DUMPER FOR AIR REGULATION. 3 MODELS AVAILABLE: 600x150 mm, 600x300 mm, 600x600 mm



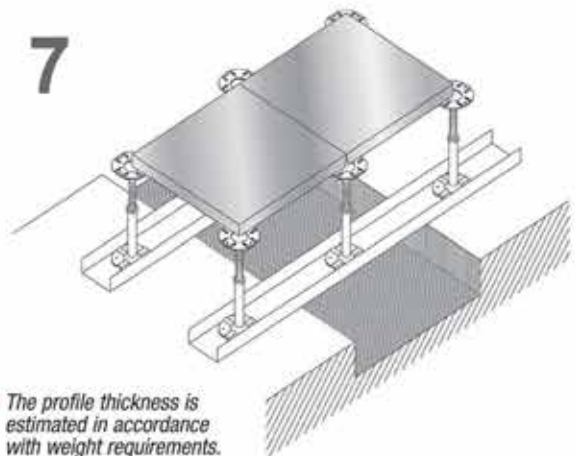
VENTILATION GRILL DIMENSIONS
600x150 mm | 600x300 mm | 600x600 mm

ELECTRICAL OUTLET BOX, 8 PARTITIONS



- Available upon request 16 module version.

LOW LEVEL BRIDGING, DIMENSIONS 95x50 mm, LENGTH 1500 mm



- The profile thickness is estimated in accordance with weight requirements.



Lifting-tool for smooth-surface panels.



Double lifting-tool for smooth surface panels.



Lifting-tool with needles for carpet.



Floor outlet with housing for electrical, telephone and data sockets.





7

RAISED ACCESS FLOORS